

M23 female 0° with cable

PUR 8x0,34+3x0,75 gy drag chain 25m

Female straight

M23, 12-polig

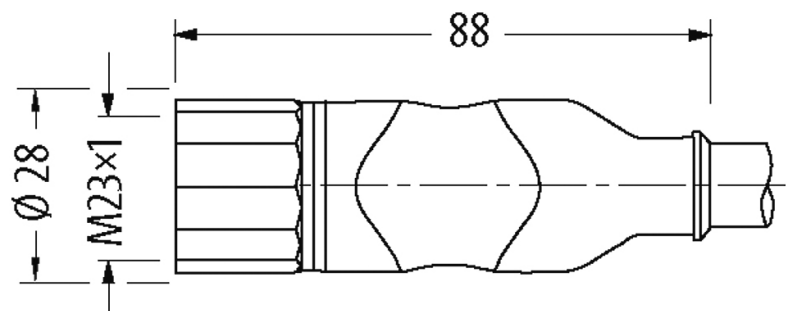
11-pole used

for 8-way distribution box, 4-pole

Further cable lengths on request. Plastic housings with good resistance against chemicals and oils. The resistance to aggressive media should be individually tested for your application. Further details on request.

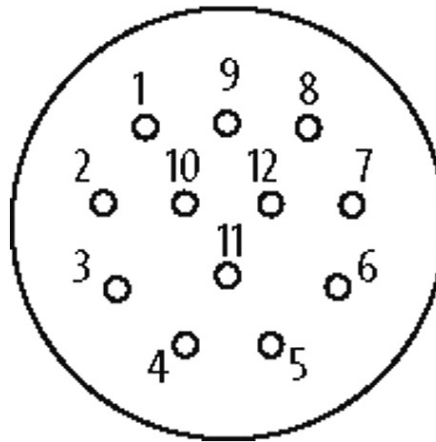
[Link to Product](#)

Illustration



1	white
2	green
3	yellow
4	gray
5	pink
6	red
7	black
8	violet
8	brown 0.75 mm ²
11	blue 0.75 mm ²
9	green/yellow 0.75 mm ²
12	

Female



Product may differ from Image

Form

Form 23051

Cables

Cable number	362
No./diameter of wires	8×0.34 + 3×0.75 mm ²
Wire isolation	PVC
C-track properties	2 Mio.
Jacket Color	gray
Material (jacket)	PUR/PVC
Outer Ø	9.1 mm ±5%
Bend radius (fixed)	10 × outer Ø
Bend radius (moving)	12 × outer Ø
Temperature range (fixed)	-30...+80 °C
Temperature range (mobile)	-5...+80 °C

Technical Data

Operating voltage	max. 125 V AC/DC
Operating current per contact	max. 7.5 A
Locking of ports	Screw thread M23 × 1 mm
Protection	IP65 and IP67 when plugged and screwed down (EN 60529)

General data

Temperature range	-25...+85 °C, depending on cable quality
-------------------	--

Commercial data

country of origin	DE
customs tariff number	85444290
EAN	4048879188357
eClass	27279218

Packaging unit

1